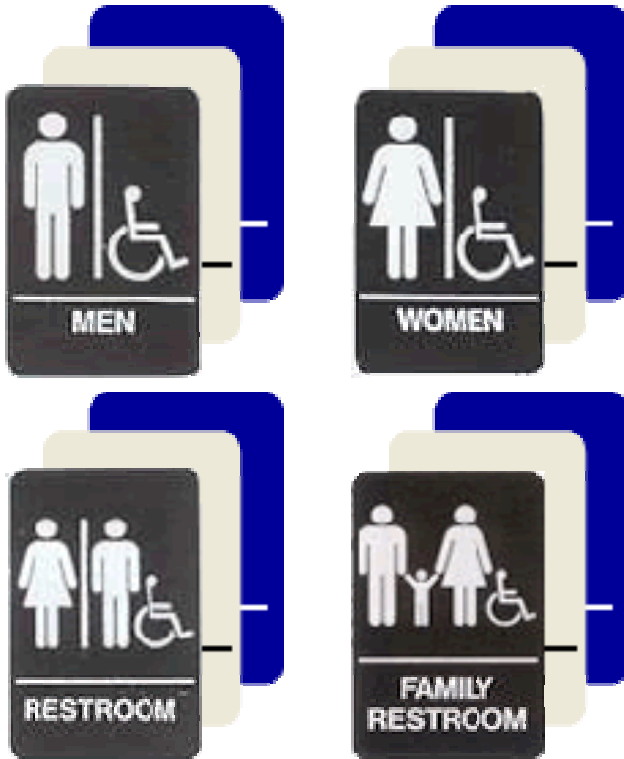


Signs:



Typical Restroom Signs

Install 60" AFF to Center on Latch Side of door

Must include brail text



VA Accessible Parking Sign Required Wording

Install between 5' & 7' above pavement



**Planning and
Inspections**

City of Staunton

Accessible Restroom

General Information

For Construction Projects

Building Customer Service



This is to provide some of the basic information about the accessibility requirements of the Building Code, for Restrooms. Detailed information can be found in the Building Code and it's referenced documents.

Planning & Inspections Dept.

116 W. Beverley Street

Phone: 540-332-3862

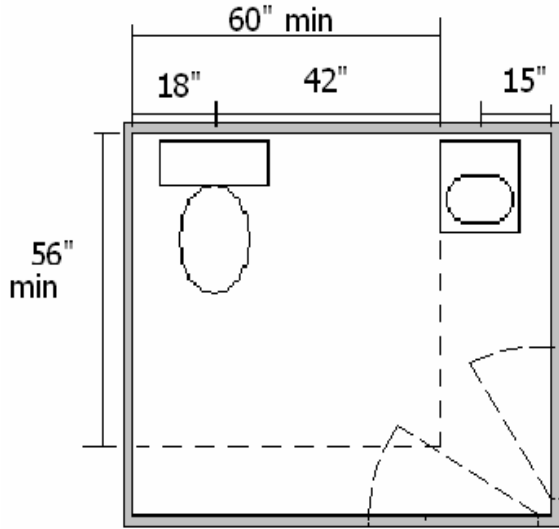
P. O. Box 58

Fax: 540-332-3807

Staunton, Virginia 24402

[WWW. staunton.va.us](http://www.staunton.va.us)

Restrooms:



Typical Single Occupant Restroom Dimensions

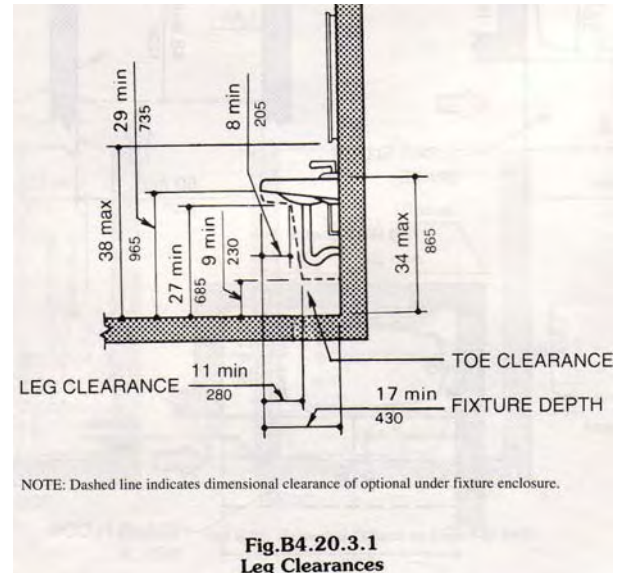


Fig.B4.20.3.1
Lavatory Dimensions

Door Hardware: *Handles, pulls, latches, locks, and operable parts; shall have a shape that is easy to grasp. (Lever Handles)*

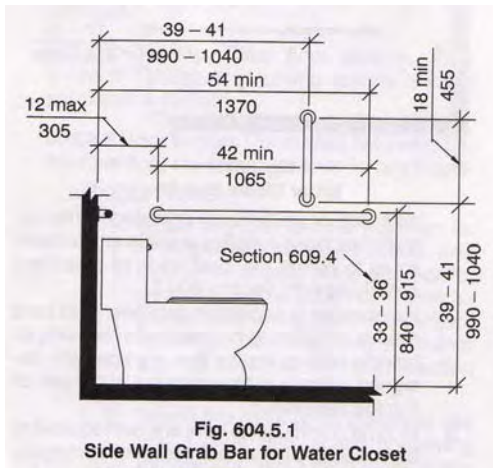


Fig. 604.5.1
Side Wall Grab Bar for Water Closet

Grab Bar Dimensions

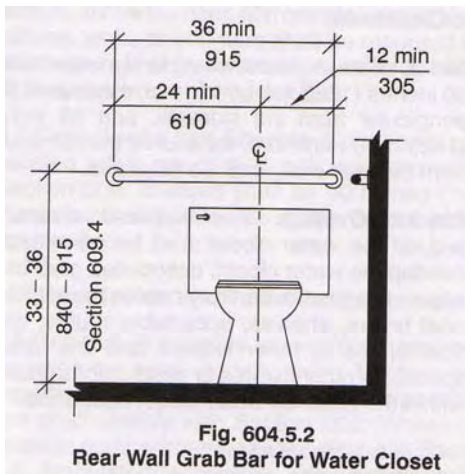
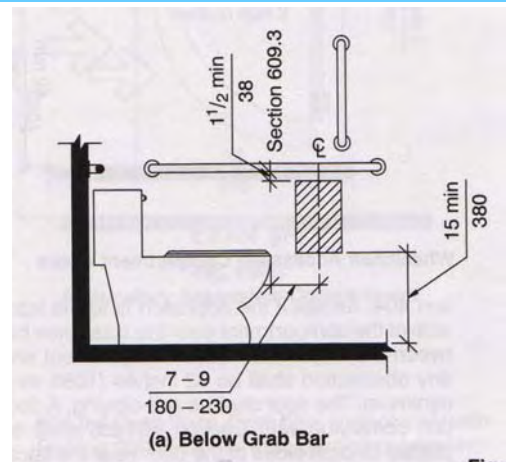
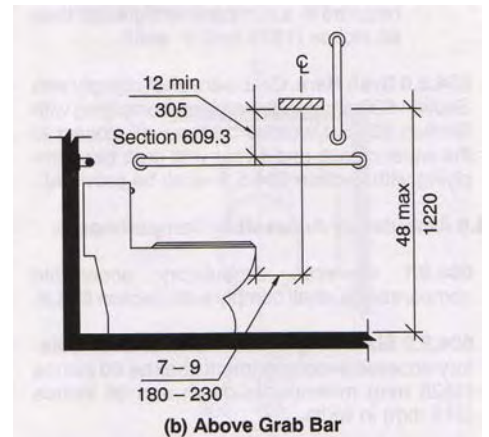


Fig. 604.5.2
Rear Wall Grab Bar for Water Closet



(a) Below Grab Bar

Toilet Paper Dispenser Locations



(b) Above Grab Bar